

A person is paragliding over a rocky coastline. The paraglider is wearing a dark harness and is suspended from a large, colorful canopy that is yellow and blue. The background features a dramatic landscape with dark, jagged mountains and a rocky shore with waves crashing against the rocks. The sky is filled with white clouds.

SKYWALK

PRO
GUIDE

TEQUILA5

TABLE OF CONTENT

1	Introduction	3
2	Description	4
3	Technical Data	5
4	Line System	5
5	Acceleration System	6
6	Flight Techniques and Characteristics	7
7	Descent Techniques	7
8	Materials	8
9	Homologation	9
10	Closing Words	10
11	Line Schematic	11
12	Line Length	11
13	Risers	12
14	Overview Glider	13
15	Test Protocoll	14



1 INTRODUCTION

Welcome to skywalk!

Congratulations on the purchase of your new TEQUILA5 and thank you for your trust in us and in our products. In this manual you will find product-specific information that will help you quickly get to know your new paraglider to ensure your fun for a long time. General information about the most important safety-relevant points for handling your paraglider can be found in the attached „BASIC GUIDE“.

We are always open for questions, comments or critique and are happy to provide you at any time with further information!

Your skywalk Team
PURE PASSION FOR FLYING

Edition 1.1 / 05_18
The latest version of the manual can be found on www.skywalk.info

2 DESCRIPTION

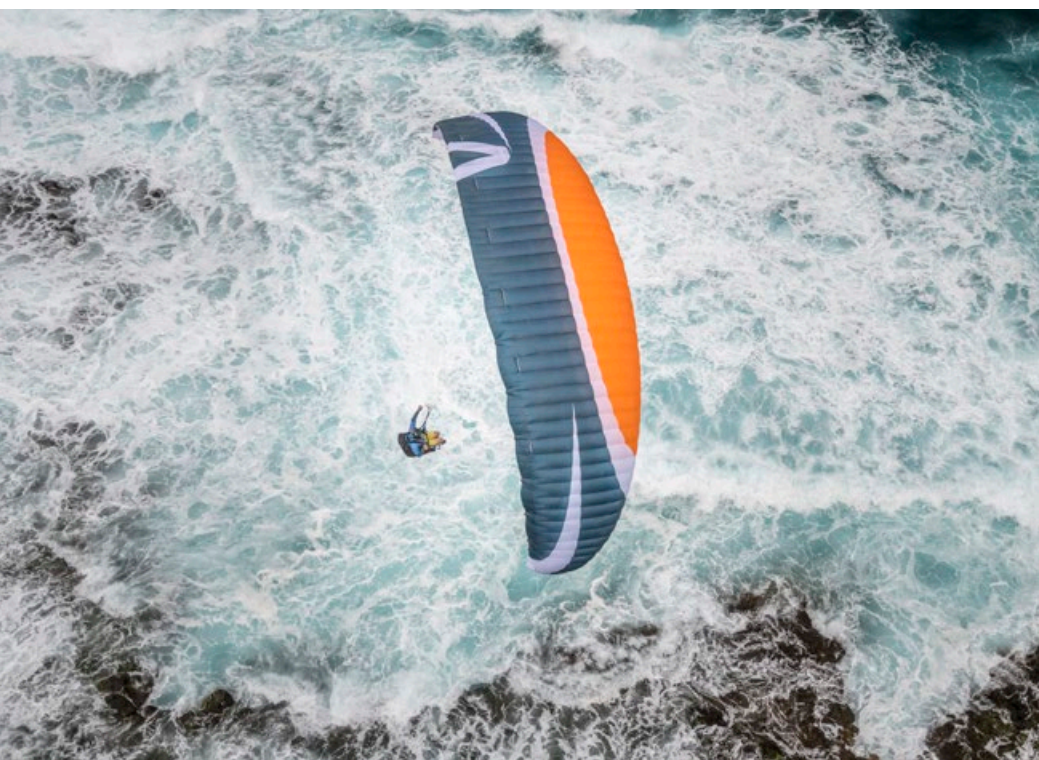
The TEQUILAs are our easy-to-fly gliders for pilots who are just starting out, switching classes, or working their way up. Since 2004, TEQUILAs have combined amazingly simple flight behavior with accessible performance. That's why even record-holding pilots rely on our well-balanced EN-B glider. The smoothness and simplicity is attractive for experienced leisure pilots as well as ambitious pilots who, after completing training, are ready to move on to thermal and XC flying.

PILOT REQUIREMENTS

The TEQUILA5 is suitable for training because of its high passive safety and forgiving flying behavior and is suitable for pilots from training to ambitious thermal and XC pilots.

SCOPE OF DELIVERY

The TEQUILA5 comes standard with inner bag, compression strap, glider backpack, riser bag and "BASIC GUIDE".



3 TECHNICAL DATA

Size	XS	S	M	L	XL
Cell number	49	49	49	49	49
Area flat (m ²)	22,9	25,2	27,1	29,0	31,0
Wingspan flat (m)	11,01	11,55	11,97	12,39	12,81
Aspect ratio flat	5,29	5,29	5,29	5,29	5,29
Area projected (m ²)	19,4	21,4	22,9	24,6	26,3
Wingspan projected (m)	8,56	8,98	9,31	9,63	9,96
Aspect ratio projected	3,78	3,78	3,78	3,78	3,78
min. profile depth (cm)	55	58	60	62	64
max. profile depth (cm)	264	276	287	297	307
Middle line length without risers (m)	6,40	6,71	6,96	7,20	7,44
Line consumption (m)	245	257	266	275	285
Weight (kg)	4,7	5,0	5,3	5,5	5,9
Take-off weight from - to (kg)	55-82	70-95	85-105	95-115	105-135
Extended weight range	82-85	-	-	115-120	-
Winch certified	yes	yes	yes	yes	yes
JET FLAP Technology	yes	yes	yes	yes	yes
Paramotor homologation	no	no	no	no	no
Accelerator	yes	yes	yes	yes	yes
Maximum speed bar travel (mm)	140	160	160	160	160
Brake line travel max. (cm)	60	63	65	67	69
Trimmers	no	no	no	no	no
Number of seats	1	1	1	1	1

4 LINE SYSTEM

The layout of the suspension points is designed for optimal load distribution and a long lifespan. With all considerations and calculations however, our focus is always on safety. The mix of materials used on the lines of the TEQUILA5 is an ideal combination of durability, low stretch and low drag.

The skywalk TEQUILA5 has 3 A-, 3 B-, 3 C-, and 1 stabilo line. The main-stabilo is connected with the B-riser. The brake lines are not load-bearing and lead from the trailing edge over the main brake lines through the brake pulleys on the C-risers to the brake handles. A marking on the main brake line indicates the position of the handle attachment. This setting should not be lengthened, for example, to provide more brake travel in extreme flight situations or during landing, nor shortened such that the glider is flown constantly with some brake on.

To provide a better overview and to make sorting easier, the lines have different colors:

- the A1, AII, AIII-lines and the A-risers are red.
- the B1, BII, BIII-lines and the B-risers are yellow
- the C1, CII, CIII-lines are blue.
- the stabilo lines are orange.
- the brake lines are orange.

The lines are attached with loops to oval shackles and secured with plastic inserts.

The skywalk TEQUILA5 has 4 risers per side:

- the two inner A-mainlines lead to the inner A-riser, the outer A-line leads to the outer A-riser.
- the B-lines as well as the stabilo lines lead to the B-riser
- the C-lines lead to the C-riser

A schematic drawing of the risers can be found at the back of the manual.

5 ACCELERATION SYSTEM

The skywalk TEQUILA5 can be equipped with a foot-operated acceleration system. The acceleration system effects the A, A2 and B-risers. Both risers are equipped WITHOUT trimmers. Exact lengths of the accelerated risers can be found at the end of the instruction.



6 FLIGHT TECHNIQUES AND CHARACTERISTICS

WINCHTOWING

The skywalk TEQUILA5 is well suited for winch towing. Make sure that you only use certified winches and that you climb from the ground at a flat angle.

The pilot must have had proper towing instruction and must ensure that the winch operator has had proper training that includes paragliders. When launching on a winch, always fly with a lot of feeling and don't brake too much as your glider will already have an increased angle of attack. We recommend the use of a towing adapter.

FLYING WITH A MOTOR

Currently, the TEQUILA5 has no certification for flying with a motor. You can find out the current status of motor certification at any dealer or importer, or by asking skywalk directly.

You can find further information on practices and characteristics of flying in the enclosed „BASIC GUIDE“.

7 DESCENT TECHNIQUES

BIG EARS

In contrast to the spiral dive, with big ears your forward speed is higher than your sink speed.

This descent method is used to quickly leave dangerous areas in a desired horizontal direction. The danger of canopy disturbances in turbulent air is greatly reduced with big ears.

Proceed as follows:

- Hold the outer A-lines, which are suspended on separate A-risers, below the line shackles and pull down on the lines or risers.
- Keep the brake handles and the outer A-lines in your hands during the maneuver. The glider remains controllable with weight shifting.
- To increase both sink rate and forward speed, you can also optimize this maneuver with the speed bar.
- To recover from the maneuver, release the A-lines and the glider normally will open by itself.
- To speed up the opening, pull on the brakes lightly. It is better to first open one side and then the other to minimize the risk of a possible stall.

Examples:

- If the pilot is surprised near a summit with little ground clearance by strong wind or a thundercloud, neither a B-stall nor a spiral dive can help.
- If the pilot is stuck in very strong lift, it is advisable to exit the lift band with the use of big ears and to find sinking air in which to lose altitude.

B-LINE STALL

The B-lines are pulled down symmetrically 15-20cm. Keep the brake handles in the respective hands. The airflow on top of the profile largely detaches and the paraglider descends without flying forward. Pulling hard on the B-risers allows you to decrease the area of the wing and increase your sink rate, but this also increases the risk of the wing forming a rosette to the front. If this happens, recovery from the B-stall immediately! You can exit the stall by quick and symmetric release of the B-lines. The paraglider will pitch forward and pick up speed. At no time you may use the brakes in this case! If the wing doesn't reopen you may speed up the opening process by using the speed system or pulling the A-risers forward..

You can find further information about descent techniques in the enclosed "BASIC GUIDE".

8 MATERIALS

The skywalk TEQUILA5 is manufactured from the highest quality materials. skywalk has selected the best possible combination of materials with regard to resilience, performance and longevity. We are aware that the durability of the glider is a deciding factor in the pilot's satisfaction.

WINGS AND RIBS

Upper sail:	Porcher Skytex 38g / Skytex Eazyfly
Lower sail:	Porcher Skytex Eazyfly
Ribs: ←	Porcher Skytex 40g hard

LINES

A, B, C Main lines:	Liros PPSLS 180/125
A, B, C Middle lines:	Liros PPSLS 125/65
A, B, C Top lines:	Liros DC 60
Brake lines:	Liros DFLP 200/32, PPSLS 65

RISERS

The risers are made of 12mm webbing. Stretching values, strength and stability of this material is among the highest of all webbing products available.

9 HOMOLOGATION

The TEQUILA5 is certified to LTF 09 and EN926-1, EN926-2 in the category B. The TEQUILA5 is defined as a lightweight sport aircraft with an empty weight of less than 120kg in the paraglider category. The many homologation tests are the last hurdle in the development of a skywalk paraglider. The homologation test flights only take place when the test team is completely happy with the glider development.

We remark that the certification results will differ during flight in thermals or turbulent air. The homologation informs solely regarding the paraglider performance during extreme-flight- manoeuvres performed in stable air conditions. These extreme-flight-manoeuvers during the homologation process should thus not be over-valued.

Remember that certification maneuvers were carried out with a harness in the group GH with a carabiner distance (middle to middle) of 42-46 cm. If another harness is used, the glider may display flight characteristics that differ from those in the description.



10 CLOSING WORDS

The skywalk TEQUILA5 is at the pinnacle of paraglider development in the market for intermediate gliders and shows what is possible regarding performance, safety and innovation. It cost us a lot of time to develop this glider, but it was also a lot of fun. In this development we recognize the challenge of making the right product for every area and individual taste. We are pleased if you notice this during your first flight and if you feel a certain unity with your glider from the very beginning.

The TEQUILA5 will provide you with plenty of joy over many years if you treat it and care for it properly. Respect for the demands and dangers of our sport are essential for successful and beautiful flights.

Even the safest paraglider can be dangerous due to misjudgments of meteorological conditions or pilot error. Always remember that flying sports are potentially risky and that you are responsible for your own safety. We advise you to fly carefully and to respect laws in the interest of our sport, because every pilot always flies at his or her own risk!

WE WISH YOU A LOT OF FUN WITH YOUR NEW GLIDER AND ALWAYS HAPPY LANDINGS!!

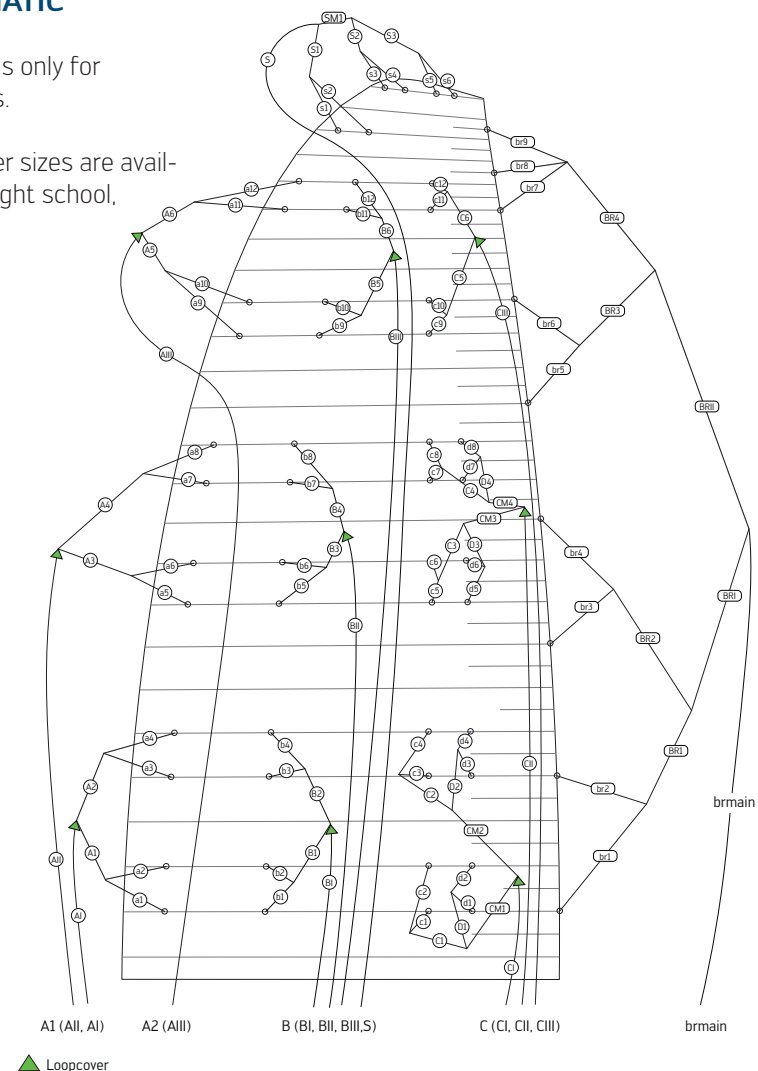
Your skywalk Team



11 LINE SCHEMATIC

This line schematic is only for illustration purposes.

Schematics for other sizes are available through your flight school, importer or skywalk.



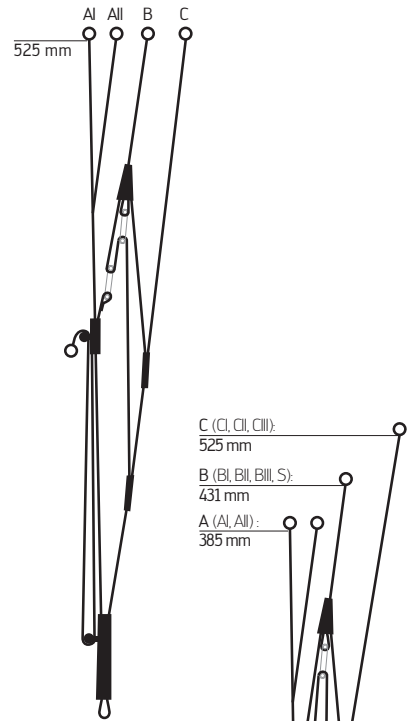
12 LINE LENGTH

Total line length TEQUILA5 size: XS, S, M, L and XL: www.skywalk.info

Single line length TEQUILA5 size: XS, S, M, L and XL r: www.skywalk.info

13 RISERS

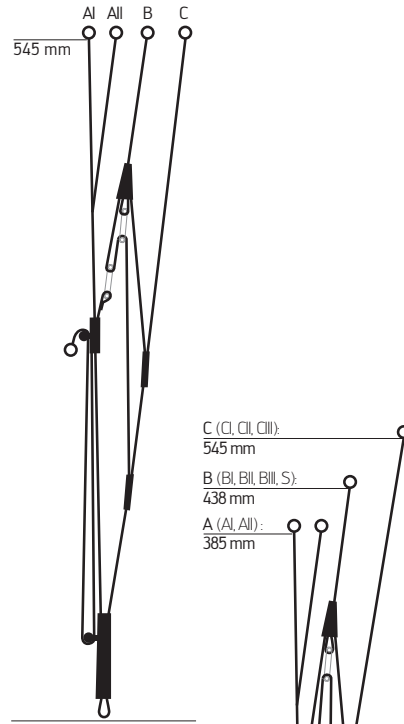
TEQUILA5, size XS



Trim speed

Accelerated flight

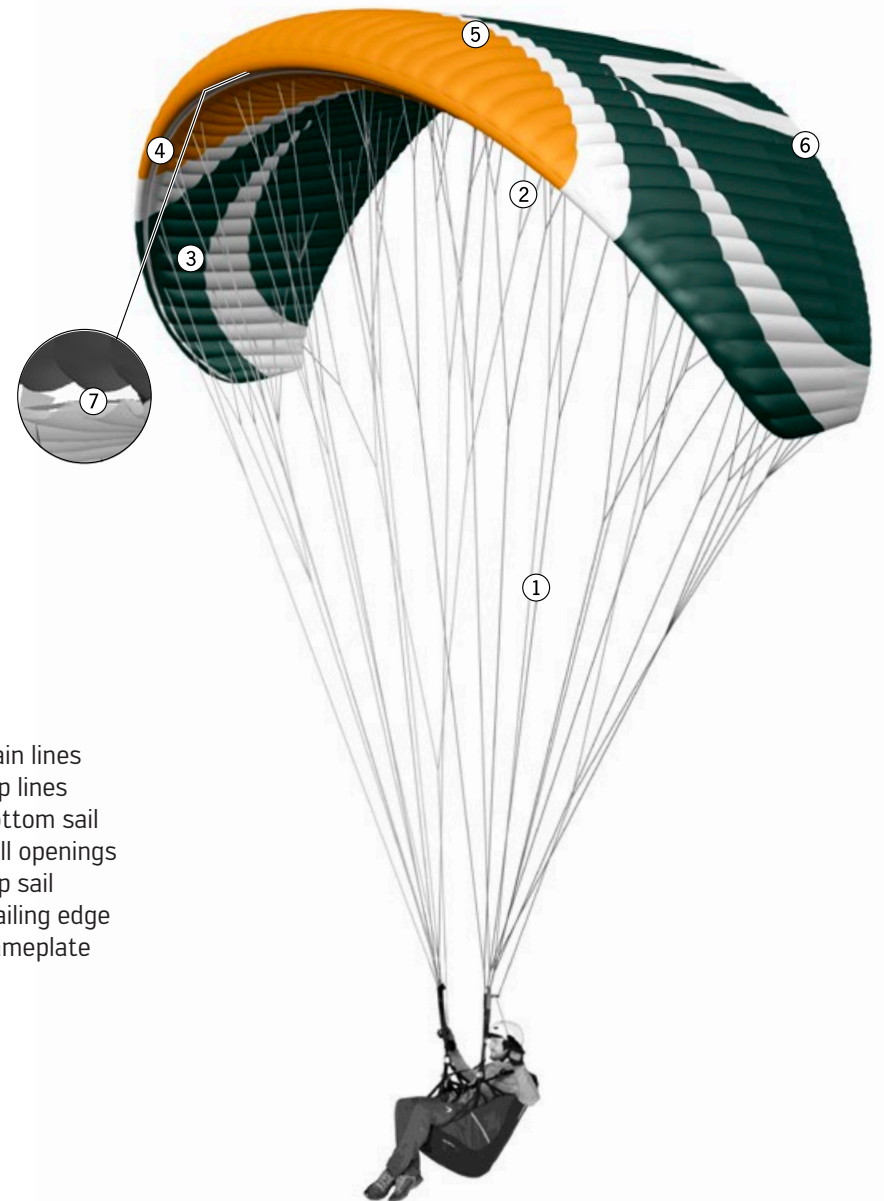
TEQUILA5, size S, M, L and XL



Trim speed

Accelerated flight

14 OVERVIEW GLIDER



- 1 Main lines
- 2 Top lines
- 3 Bottom sail
- 4 Cell openings
- 5 Top sail
- 6 Trailing edge
- 7 Nameplate

15 TEST PROTOCOL			Date:
Customer, Name:			
Adress:		Phone:	
Glider:	Size:	Serial number:	
Type certificate number:		Date of last check:	
Date of first flight:		Year of construction:	

Accomplished checking:	Results [+/-]:	Description of failure:	Suggested repairs:
Identification:	<input type="checkbox"/> + <input type="checkbox"/> -		
Visual check of canopy:			
Upper surface:	<input type="checkbox"/> + <input type="checkbox"/> -		
Lower surface:	<input type="checkbox"/> + <input type="checkbox"/> -		
Profiles:	<input type="checkbox"/> + <input type="checkbox"/> -		
Line flares:	<input type="checkbox"/> + <input type="checkbox"/> -		
Leading edge:	<input type="checkbox"/> + <input type="checkbox"/> -		
Trailing edge:	<input type="checkbox"/> + <input type="checkbox"/> -		
Crossports:	<input type="checkbox"/> + <input type="checkbox"/> -		
Visual check of lines:			
Seams:	<input type="checkbox"/> + <input type="checkbox"/> -		
Abrasion spots:	<input type="checkbox"/> + <input type="checkbox"/> -		
Core withdrawals:	<input type="checkbox"/> + <input type="checkbox"/> -		
Visual check of connectionparts:			
Suspension line screw locks:	<input type="checkbox"/> + <input type="checkbox"/> -		
Risers:	<input type="checkbox"/> + <input type="checkbox"/> -		
Length measurement:			
Risers:	<input type="checkbox"/> + <input type="checkbox"/> -		
Lines:	<input type="checkbox"/> + <input type="checkbox"/> -		
Examinations of the canopy:			
Firmness of canopy:	<input type="checkbox"/> + <input type="checkbox"/> -		
Porosity:	<input type="checkbox"/> + <input type="checkbox"/> -		

Examinations of the lines:			
Firmness of main lines:	<input type="checkbox"/> <input type="checkbox"/> <input type="checkbox"/> <input type="checkbox"/> <input type="checkbox"/>	daN	
	Results [+/-]:	Description of failure:	Suggested repairs:
Visual check of trimming:	<input type="checkbox"/> + <input type="checkbox"/> -		
Checkflight necessary?	<input type="checkbox"/> + <input type="checkbox"/> -		
Type certificate patch?	<input type="checkbox"/> + <input type="checkbox"/> -		
Identification plate?	<input type="checkbox"/> + <input type="checkbox"/> -		
Condition:	<input type="checkbox"/> New <input type="checkbox"/> Very good condition <input type="checkbox"/> Good condition <input type="checkbox"/> Well used <input type="checkbox"/> Heavily used, but within homologation standards, frequent checks required <input type="checkbox"/> No longer airworthy, outside of the limit values.		
Repairs made?:			
Signature of tester:		Date:	
Name of tester:		Firm stamp:	



Skywalk GmbH & Co. KG
Windeckstr. 4 | 83250 Marquartstein
+49 (0) 8641/69 48 40
info@skywalk.info | www.skywalk.info